



Special Features

- ▲ 1.9mm THICK STAINLESS STEEL CONSTRUCTION
- ▲ ELLIPTICAL SHAPED BOWL WITH ULTRA SMOOTH INTERNAL FINISH
- ▲ ERGONOMICALLY DESIGNED
- ▲ INTEGRAL CONTOURED SEAT WITH HIGH POLISH FINISH
- ▲ SELF-DRAINING SECURITY FLUSHING RIM
- ▲ WATER SAVING LOW VOLUME FLUSHING
- ▲ INTERCHANGEABLE WITH CERAMIC MODELS
- ▲ OPTIONAL WHITE **Enviro-Glaze** FINISH

Description

The WC pan is extremely hygienic, highly vandal resistant and has exceptional performance at low volume flushing. The elliptical shaped bowl and integral top have been ergonomically designed to provide a comfortable fully contoured seat, eliminating the need for unhygienic seat pads or a seat and cover which can easily be damaged. The seat is highly polished to a sanitary finish and the WC pan top incorporates a security flushing rim to prevent the concealment of contraband. The back to wall WC pan is suitable for installing with a concealed duct mounted cistern or flush valve. Corresponding inlet and outlet dimensions together with the optional white **Enviro-Glaze** finish make the WC pan interchangeable with ceramic models.

Construction

The WC pan is manufactured in one piece without joints or crevices from 1.9 mm thick grade 304 stainless steel. The external surface of the bowl is polished to a satin finish. The internal surface is polished to a unique matt satin ultra smooth finish that is hygienic, easy to clean and resistant to scale build up and deposits. The integral top is formed to provide a self-draining security flushing rim and an ergonomically designed contoured seat that is highly polished to a sanitary finish. The WC pan incorporates a seamless one piece smooth bore trap with radiused bends and a horizontal outlet. Each WC pan is supplied with an inlet connector, a concealed floor fixing plate and four M12 x 150 mm long bolts to suit walls up to 118 mm thick. As an option, for walls up to 268 mm thick, M12 x 300 mm long bolts can be provided.

Performance Standards

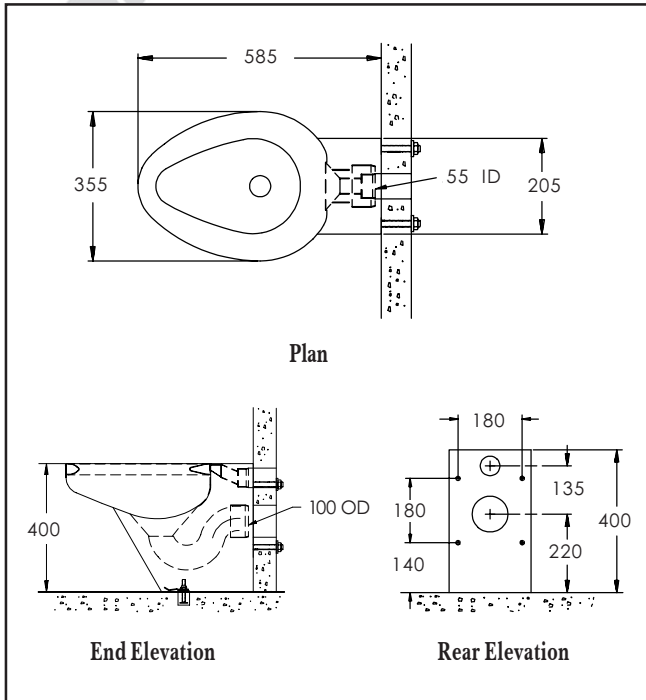
The design of the elliptical shaped bowl, flushing rim and outlet trap ensure a complete washdown of all internal surfaces and efficient low volume flushing for water economy. The WC pan complies with the constructional and performance requirements of EN 997:1999 and has been satisfactorily tested in accordance with the Water Supply (water fittings) Regulations 1999:WC Suite Performance Specifications for WC suites delivering a single flush of 6 litres maximum.

Options

- ▲ Plastic seat and cover with metal hinge bolts.
- ▲ Concealed duct mounted plastic cistern (see catalogue section 2 - product code 142).
- ▲ M12 x 300 mm long bolts (for 119 - 268 mm thick walls).
- ▲ White **Enviro-Glaze** finish.

Technical Specification: Back to Wall WC Pan with Horizontal Outlet

5 Brearley Court, Baird Road, Waterwells Business Park, Quedgeley, Gloucester GL2 2AF Tel: 01452 721211 Fax: 01452 721231 Web: www.acornpowell.co.uk



Trap

The WC pan trap is formed with a minimum 50 mm deep water seal.

Outlet

The WC pan is manufactured with a 100 mm overall diameter horizontal outlet suitable for a plastic WC connector.

Inlet

The WC pan is manufactured with a 55 mm internal diameter water inlet socket. A rubber inlet connector suitable for a 38 mm overall diameter flushpipe is supplied with the WC pan.

Fixings

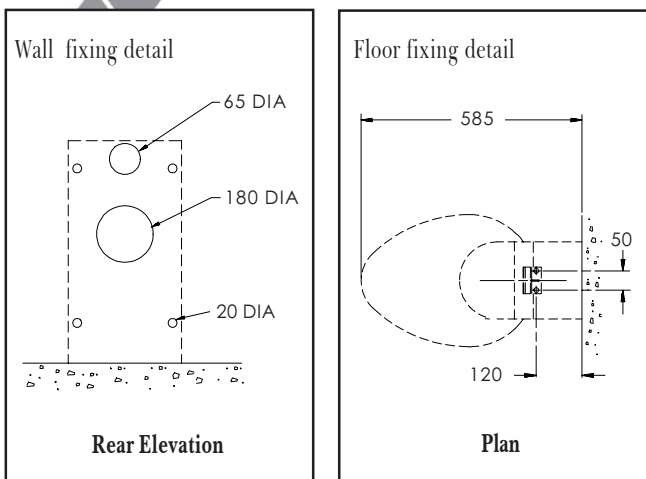
The WC pan is supplied with a floor fixing plate and four M12 x 150 mm long bolts to suit walls up to 118 mm thick. Optional M12 x 300 mm long bolts can be supplied, for walls up to 268 mm thick. All fixings are fully concealed.

Cistern and Flushpipe

As an option the WC pan can be supplied with a plastic cistern for concealed duct mounting. The cistern is supplied with a syphon, float operated valve, plastic flushpipe and either a through wall lever or push-button mechanism.

Cistern Height

To efficiently flush the WC pan the recommended mounting height is 675 mm minimum from the underside of the cistern to finished floor level.



Product Code Selection for Order or Quotation

1. Base Product Code

102-back to wall WC pan with horizontal outlet

2. Options

- PSC-BK-black plastic seat and cover incl. hinge bolts
- PSC-WH-white plastic seat and cover incl. hinge bolts
- 142-plastic cistern for duct mounting
- S300-M12 x 300 mm long bolts (for 119 - 268 mm thick walls)
- WG-white **Enviro-Glaze** finish