

Special Features

- ▲ HYGIENIC VANDAL RESISTANT DESIGN
- ▲ COMPLETE WITH FIXING TOGGLES

Description

The wash basin is designed for inseting into countertops up to 50 mm thick. Fixing toggles are supplied for securing the wash basin in position.

Construction

The inset wash basin is manufactured in one piece without joints or crevices from grade 304 stainless steel, with all exposed surfaces polished to a satin finish. The wash basin is produced with either one or two tap holes and is supplied as standard with a combined waste and overflow fitting, plug and chain and fixing toggles.



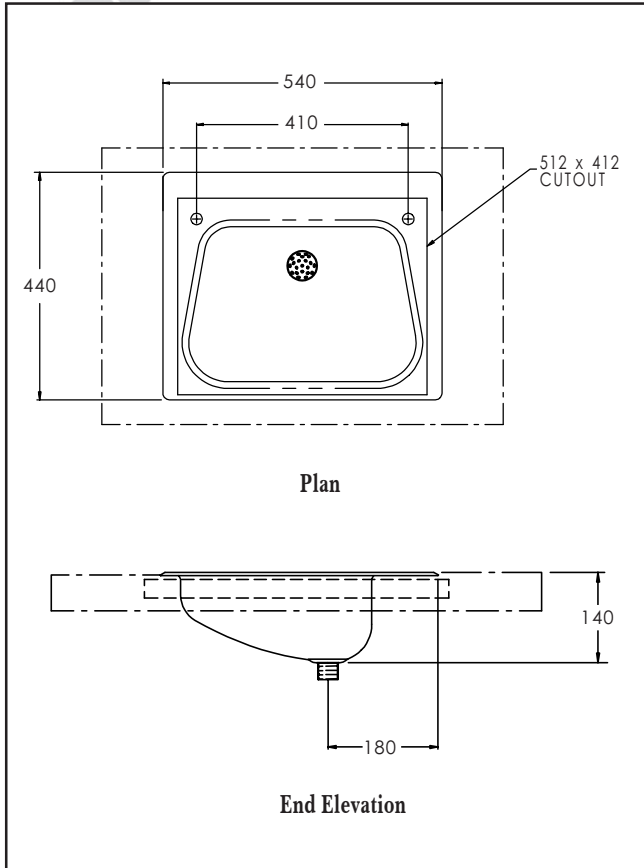
Options

- ▲ Non-standard waste fittings.
- ▲ Non-standard tap hole sizes.
- ▲ Water controllers, taps and valves (see catalogue section 6).



Technical Specification: Inset Wash Basin

5 Brearley Court, Baird Road, Waterwells Business Park, Quedgeley, Gloucester GL2 2AF Tel: 01452 721211 Fax: 01452 721231 Web: www.acornpowell.co.uk



Waste Outlet

The inset wash basin is supplied as standard with a 32 mm (1¼ in) BSP combined waste and overflow fitting, plug and chain.

As an alternative to the standard waste fitting one of the following non-standard fittings can be supplied:

- 32 mm (1¼ in) BSP combined waste and overflow, captive plug.
- 32 mm (1¼ in) BSP unslotted flush grated waste.
- 32 mm (1¼ in) BSP unslotted waste, plug, chain and stay.

Tap Hole Positions

The inset wash basin is produced with either one tap hole, which can be right hand, left hand or central, or two tap holes. A central tap hole can only be provided if an unslotted waste outlet has been selected.

Tap Hole Sizes

The standard tap hole size is 22 mm diameter.

Non-standard sizes that can be provided are:

- 30 mm dia., 35 mm dia., 38 mm dia. and 23.5 mm square.

Product Code Selection for Order or Quotation

1. Base Product Code

- 251-inset wash basin

2. Waste Outlet

Standard

- 1-combined overflow plug and chain

Non-Standard

- 2-combined overflow captive plug
- 3-unslotted flush grated
- 4-unslotted plug chain and stay

3. Tap Hole Position

R-right hand

L-left hand

C-central (only available with waste outlet code 3 or 4)

T-two

4. Tap Hole Size

Standard

- 22-22 mm dia.

Non-Standard

- 30-30 mm dia.
- 35-35 mm dia.
- 38-38 mm dia.
- 23-23.5 mm sq.

For details of water controllers, taps and valves see catalogue section 6.