

Special Features

- ▲ HYGIENIC VANDAL RESISTANT DESIGN
- ▲ NEAT COMPACT SIZE
- ▲ COMPLETE WITH FIXING STUDS

Description

The wash basin is designed for inseting into countertops up to 50 mm thick and is ideal for locations where only a limited space is available. Fixing studs are provided for securing the wash basin in position.

Construction

The inset wash basin is manufactured in one piece without joints or crevices from grade 304 stainless steel, with all exposed surfaces polished to a satin finish. The wash basin is produced with two tap holes and is supplied as standard with a combined waste and overflow fitting, plug and chain and fixing studs.

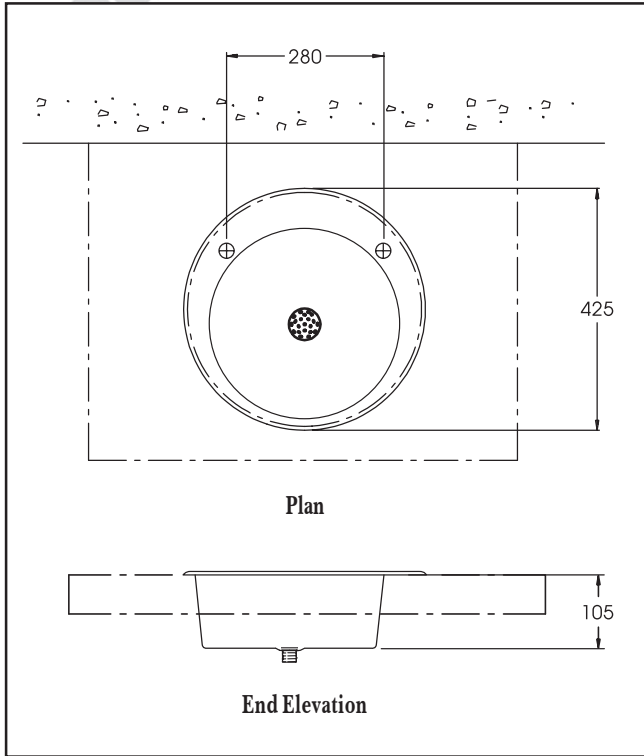
Options

- ▲ Non-standard waste fitting.
- ▲ Stainless steel tap hole blank.
- ▲ Water controllers, taps and valves (see catalogue section 6).



Technical Specification: Inset Wash Basin

5 Brearley Court, Baird Road, Waterwells Business Park, Quedgeley, Gloucester GL2 2AF Tel: 01452 721211 Fax: 01452 721231 Web: www.acornpowell.co.uk



Waste Outlet

The inset wash basin is supplied as standard with a 32 mm (1¼ in) BSP combined waste and overflow fitting, plug and chain.

As an alternative to the standard waste fitting the following non-standard fitting can be supplied:

32 mm (1¼ in) BSP combined waste and overflow, captive plug.

Tap Hole Positions

The inset wash basin is produced with two tap holes. An optional stainless steel tap hole blank is available if only one tap hole is to be used.

Tap Hole Sizes

The standard size is 30 mm diameter.

Product Code Selection for Order or Quotation

1. Base Product Code

255-inset wash basin

2. Waste Outlet

Standard

1-combined overflow plug and chain

Non-Standard

2-combined overflow captive plug

3. Option

THB-stainless steel tap hole blank

For details of water controllers, taps and valves see catalogue section 6.