

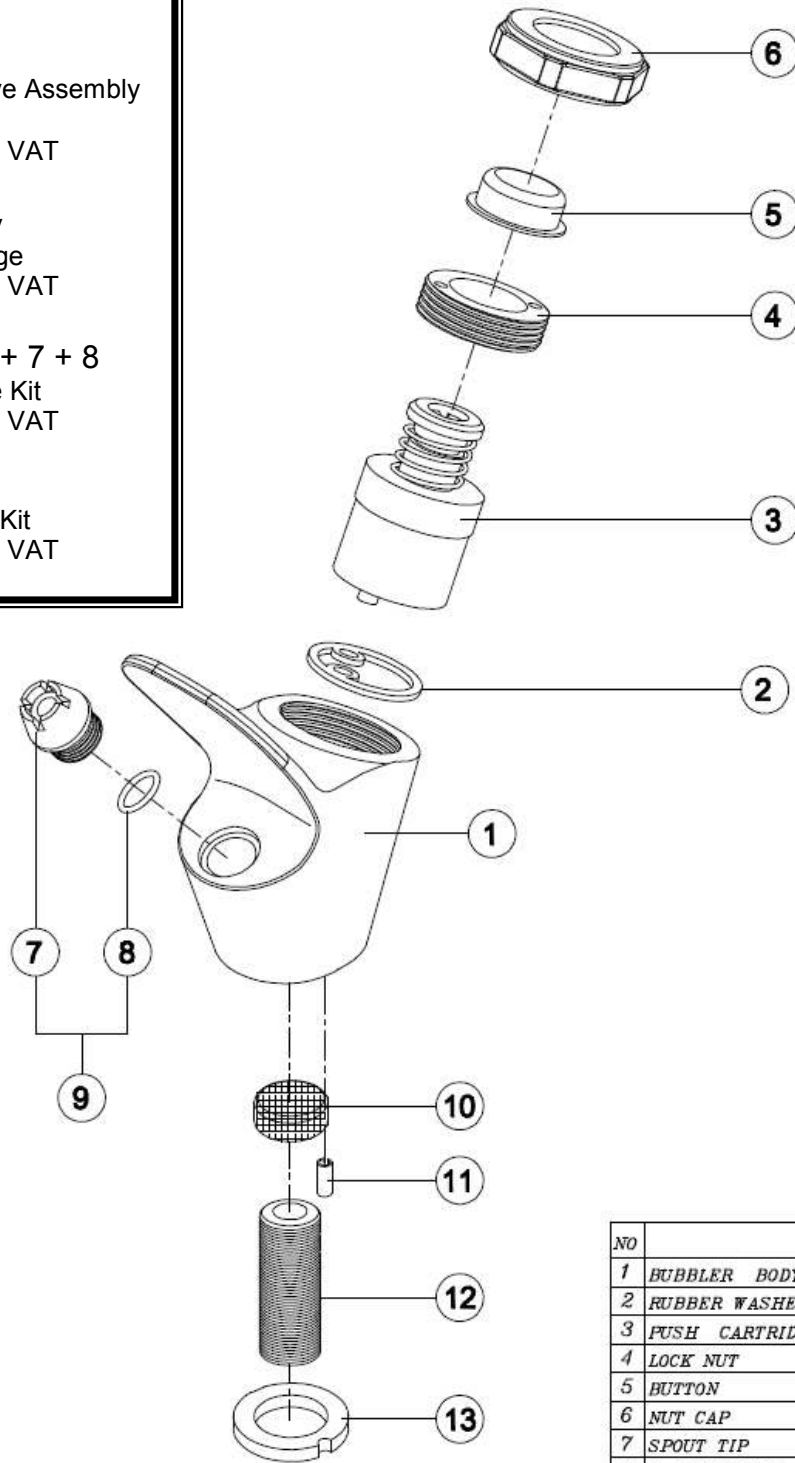
These parts are available only as follows:

Parts 1-13 Complete Valve Assembly
Order Code: DFBV
£50 Nett excluding p&p and VAT

Parts 2 + 3 Cartridge only
Order Code: DFBV-Cartridge
£20 Nett excluding p&p and VAT

Parts 2 + 3 + 4 + 5 + 6 + 7 + 8
Order Code: DFBV-Service Kit
£30 Nett excluding p&p and VAT

Parts 4 + 5 + 6 + 7 + 8
Order Code: DFBV-Fittings Kit
£15 Nett excluding p&p and VAT



NO	
1	BUBBLER BODY
2	RUBBER WASHER
3	PUSH CARTRIDGE
4	LOCK NUT
5	BUTTON
6	NUT CAP
7	SPOUT TIP
8	O-RING (A116)
9	SPOUT TIP ASS'Y
10	SCREEN
11	PIN
12	SHANK
13	RUBBER WASHER



5 Brearley Court Baird Road Waterwells Business Park
Quedgeley Gloucester GL2 2AF
Tel: 01452 721211 Fax: 01452 721231

DRG: Drinking Fountain Bubbler Valve

Date: 08/2010

Revision date:

This drawing is the copyright of Acorn Powell Ltd. It must not be copied, distributed or amended without prior written consent from Acorn Powell Ltd