



### Special Features

- ▲ DESIGNED TO HTM 64 SPECIFICATION
- ▲ HYGIENIC CONSTRUCTION
- ▲ DISPOSAL HOPPERS WITH FULL RIM FLUSHING

### Introduction

The Acorn Powell Limited range of Medical and Hospital products has been specifically designed to comply with the Health Technical Memorandum 64 (HTM 64) Sanitary assemblies. All of the products are durable, easy to maintain, hygienic and are suitable for use in new installations and refurbishment projects. The products are ideal for installation in hospitals, medical centres, clinics, nursing homes and doctors surgeries.

### Description

The product range consists of wall mounted disposal units which can include a plain work top or a top incorporating a sink bowl, a floor standing disposal unit, a plaster sink and three standard length scrub-up troughs.

Product tops incorporate, as standard, an anti-drip edge. All disposal hoppers have full rim flushing with either a top or back entry flushpipe connection and a horizontal outlet trap. Where applicable product options include front support legs, a vertical outlet trap and a plastic or stainless steel 7.5 litre manual flushing cistern.

### Construction

All products in the range are manufactured without joints or crevices from heavy gauge grade 304 stainless steel, with all exposed surfaces polished to a satin finish.

Product tops incorporate an anti-drip edge and down turns to all sides.

Disposal hoppers incorporate full rim flushing with a top or back entry flushpipe connection to suit either surface or duct mounted cisterns.

### Options

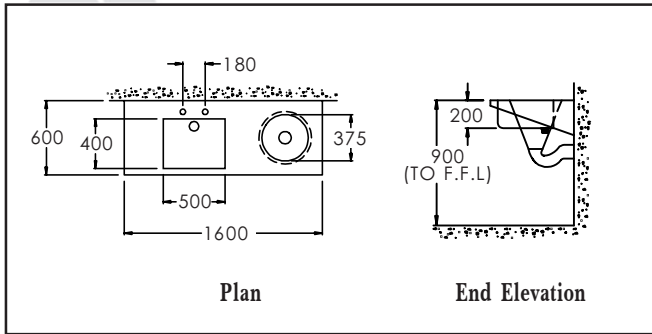
- ▲ Stainless steel front support legs.
- ▲ Vertical outlet trap.
- ▲ Concealed duct mounted plastic manual cistern with flush pipe and front lever operating mechanism.
- ▲ Exposed surface mounted stainless steel manual cistern with flush pipe and front lever operating mechanism.

## Product Range

### Hospital Pattern Disposal Unit with Sink

Reference DU HS      Base Product Code 801

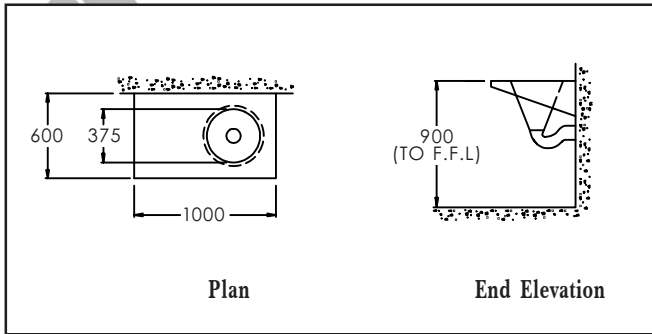
Wall mounted disposal unit with sink. Disposal hopper can be right or left hand (as facing) with a top or back entry flush pipe connection. Hopper has a 100 mm diameter horizontal outlet trap as standard. The sink is manufactured either without tap holes or with two 22 mm diameter tap holes and is complete with a 38 mm (1½ in) BSP unslotted waste, plug, chain and stay. Unit supplied with wall brackets. Optional front support legs and manual flushing cisterns are available.



### Hospital Pattern Disposal Unit

Reference DU H      Base Product Code 802

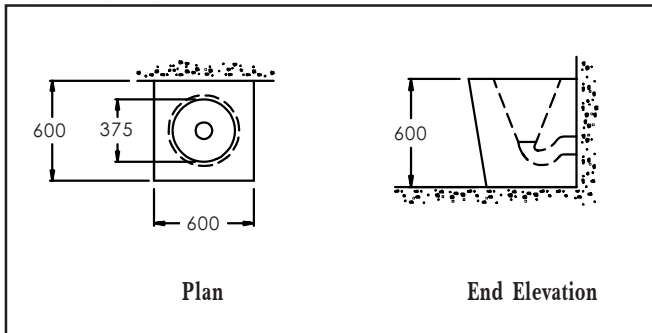
Wall mounted disposal unit with plain top. Disposal hopper can be right or left hand (as facing) with a top or back entry flush pipe connection. Hopper has a 100 mm diameter horizontal outlet trap as standard. Unit supplied with wall brackets. Optional front support legs and manual flushing cisterns are available.



### Floor Standing Domestic Disposal Unit

Reference DU G      Base Product Code 803

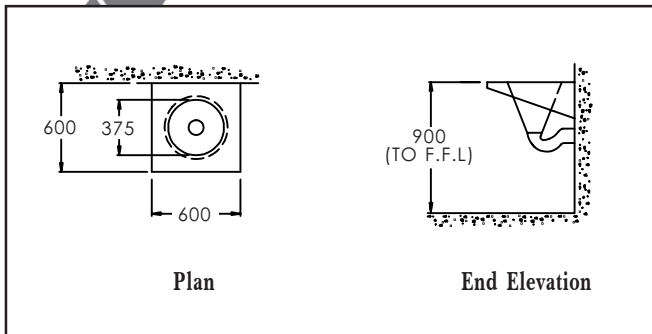
Floor standing disposal unit with integral stainless steel shroud and hinged stainless steel grid. Available with a 100 mm diameter horizontal outlet trap only, the hopper can be provided with either a top or back entry flush pipe connection. Optional manual flushing cisterns are available.

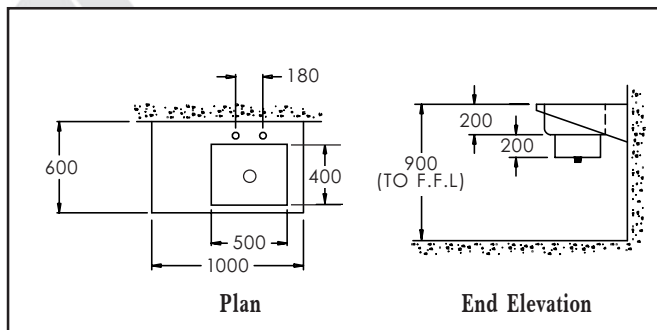


### Wall Mounted Domestic Disposal Unit

Reference DU G      Base Product Code 804

Wall mounted disposal unit with hinged stainless steel grid. Hopper has a 100mm diameter horizontal outlet trap as standard and can be provided with a top or back entry flush pipe connection. Unit supplied with wall brackets. Optional front support legs and manual flushing cisterns are available.



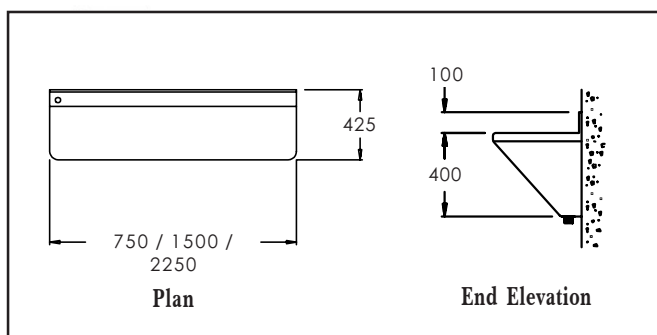


## Product Range continued

### Hospital Pattern Plaster Sink

Reference **PS H** Base Product Code **805**

Wall mounted plaster sink with lift out stainless steel basket and lid. Sink can be right or left hand (as facing). Manufactured either without tap holes or with two 22 mm diameter tap holes, the sink is complete with a 38 mm (1½ in) BSP unslotted flush grated waste fitting. Sink supplied with wall brackets. Optional front support legs are available.



### Hospital Pattern Scrub-up Trough

Reference **SUH 1/2/3** Base Product Code **806**

Wall mounted scrub-up trough with fully radiused internal corners for ease of cleaning and hygiene. Designed for use with wall mounted taps, the trough is supplied with a 38 mm (1½ in) BSP unslotted flush grated waste fitting, positioned at either the right or left hand end (as facing). Available in three standard lengths, 750, 1500 and 2250 mm, to accommodate one, two or three users simultaneously.

## Installation

All products should be installed level and the edges sealed against the walls and floors with a permanent impermeable joint. Detailed installation instructions are supplied with each product.

## Maintenance

Routine cleaning is necessary to maintain the appearance of stainless steel. Washing with soap or a mild detergent and warm water, applied with a sponge or bristle brush, followed by a clear water rinse is all that is required. Unless specifically formulated for use on stainless steel, bleaches, abrasive or chemical cleaners should not be used.

## Earthing Continuity

All products are provided with a number of close-up fixing points on to which an earthing continuity wire with an end terminal can be secured.



## Product Code Selection for Order or Quotation

### 1. Base Product Code

- 801-hospital pattern disposal unit with sink
- 802-hospital pattern disposal unit
- 803-floor standing domestic disposal unit
- 804-wall mounted domestic disposal unit
- 805-hospital pattern plaster sink
- 806-hospital pattern scrub-up trough

### 2. Length/Number of Users

(for product code 806 only)

- 1-single user 750 mm long
- 2-double user 1500 mm long
- 3-triple user 2250 mm long

### 3. Disposal Hopper/Sink Position

(for product codes 801, 802 and 805 only)

- R-right hand (as facing)
- L-left hand (as facing)

### 4. Disposal Hopper Flush Pipe Connection

(for product codes 801, 802, 803 and 804 only)

- TE-top entry
- BE-back entry

### 5. Tap Holes

(for product codes 801 and 805 only)

- N-no tap holes
- T-two

### 6. Options

- FL-front support legs
- VO-vertical 100 mm dia. outlet trap
- 142LLWL-concealed plastic manual cistern with flush pipe and front lever operating mechanism
- 132-LL-exposed stainless steel manual cistern with flush pipe and front lever operating mechanism