



ACORN SAFETY
P.O. BOX 3527
CITY OF INDUSTRY, CA 91744-0527
UNITED STATES OF AMERICA
WWW.ACORNSAFETY.COM

INSTALLATION, OPERATION AND MAINTENANCE INSTRUCTIONS

HORIZONTALLY MOUNTED ALL STAINLESS SHOWER HEAD



Models S2200-AS

TECHNICAL ASSISTANCE TOLL FREE TELEPHONE NUMBER

1.800.591.9360

TECHNICAL ASSISTANCE FAX: 1.626.855.4894

NOTES TO INSTALLER:

- 1. Please leave this documentation with the owner of the fixture when finished**
- 2. Please read this entire booklet before beginning the installation**
- 3. Check your installation for compliance with plumbing, electrical, ANSI Z358.1, and other applicable codes.**

LIMITED WARRANTY
UNITED STATES & CANADA

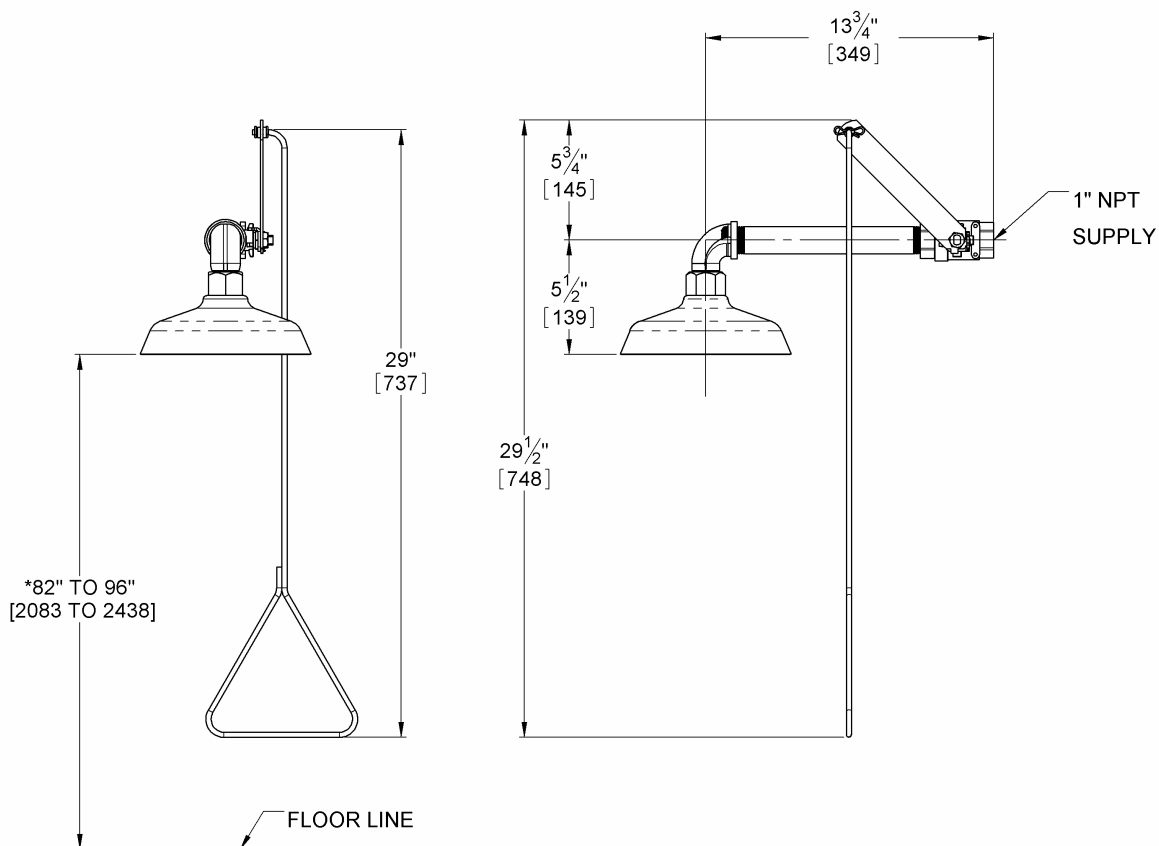
Acorn Safety warrants that its products are free from defects in material or workmanship under normal use and service for a period of one year from date of shipment. Acorn's liability under this warranty shall be discharged solely by replacement or repair of defective material, provided Acorn is notified in writing within one year from date of shipment, F.O.B. Industry, California.

This warranty does not cover installation or labor charges and does not apply to materials, which have been damaged by other causes such as mishandling or improper care or abnormal use. The repair or replacement of the defective materials shall constitute the sole remedy of the Buyer and the sole remedy of Acorn under this warranty. Acorn shall not be liable under any circumstances for incidental, consequential or direct charges caused by defects in the materials, or any delay in the repair or replacement thereof. This warranty is in lieu of all other warranties expressed or implied. Product maintenance instructions are issued with each unit and disregard or non-compliance with these instructions will constitute an abnormal use condition and void the warranty. Stainless steel must be protected on jobsites during construction and must be properly maintained after the water has been introduced into the safety product or Acorn's warranty is void.

PRELIMINARY STEPS

1. **Read the installation instructions prior to beginning the installation**
2. **Separate parts from packaging and verify all necessary parts are accounted for and undamaged. Obtain missing or damaged parts from Acorn Safety prior to beginning installation.**
3. **Flush water supply lines prior to installation. This will remove unwanted debris from the lines and prevent unwanted blockages in the safety equipment.**
4. **In order to comply with ANSI Z358.1, the safety equipment must be inspected periodically. An inspection tag has been provided for documentation purposes.**
5. **All employees at risk of contamination should be informed and trained in the use of this and any other safety equipment. The signage provided should be posted appropriately in close proximity to this equipment.**

ROUGH-IN FOR S2200-AS



GENERAL NOTES:

1. ALL DIMENSIONS ARE IN INCHES [MM].
- *2. ANSI Z358.1 REQUIRES THE SHOWER HEAD TO BE MOUNTED BETWEEN 82"[2083] AND 96"[2438] ABOVE THE FLOOR.

INSTALLATION INSTRUCTIONS:

Supplies required: (not provided by Acorn)

1. Wall fasteners for signage mounting.
2. Pipe sealant or Teflon tape for sealing water connections.

IMPORTANT: flush water supply lines prior to connection to safety equipment.

Notes:

- Bottom of shower head (shower head rim) must be between 82"- 96" from finished floor in order to meet ANSI Z358.1
- Use hand tools and wrenches in a manner which will prevent marring finished surfaces. Strap wrenches or tools with plastic jaw linings are highly recommended.
- Fragments of Teflon tape or pipe sealant residue can interfere with the proper operation of this unit. Ensure pipe sealant methods do not cause contamination in the equipment.

Step one: Mounting

1. Locate existing 1" uninterrupted source of potable water supply (supplied by others) and flush to clear line of contamination.
2. Install the unit to the water supply using Pipe sealant or Teflon tape.
3. Pipe wrench the unit as required to ensure there are no leaks.
4. Open water supply.
5. Test for leaks, proper operation and flow.

Step two: Signage & Inspection

1. Position sign with clear visibility, in close proximity to safety equipment and mark mounting hole locations.
2. Select appropriate 1/4" anchors, screws and washers (supplied by others) to install signage.
3. Attach inspection tag supplied, with plastic zip tie.

PARTS LIST

ITEM #	PART NUMBER	DESCRIPTION
1	7102-414-002	VALVE ASSEMBLY, STAINLESS
2	7102-414-001	PIPE NIPPLE W/ STREET ELBOW, STAINLESS
3	7102-351-000	FLOW REGULATOR
4	7102-305-001	STN. STL. SHOWER HEAD ASSY
5	7102-345-000	PULL HANDLE 59.50"
	7102-350-000	PULL HANDLE 29"
6	7100-401-000	SERVICE TAG
7	7100-211-000	BOW-TIE COTTER PIN
8	7100-219-000	NYLON WASHER

